

THIS DRAWING IS UNPUBLISHED.

RELEASED FOR PUBLICATION

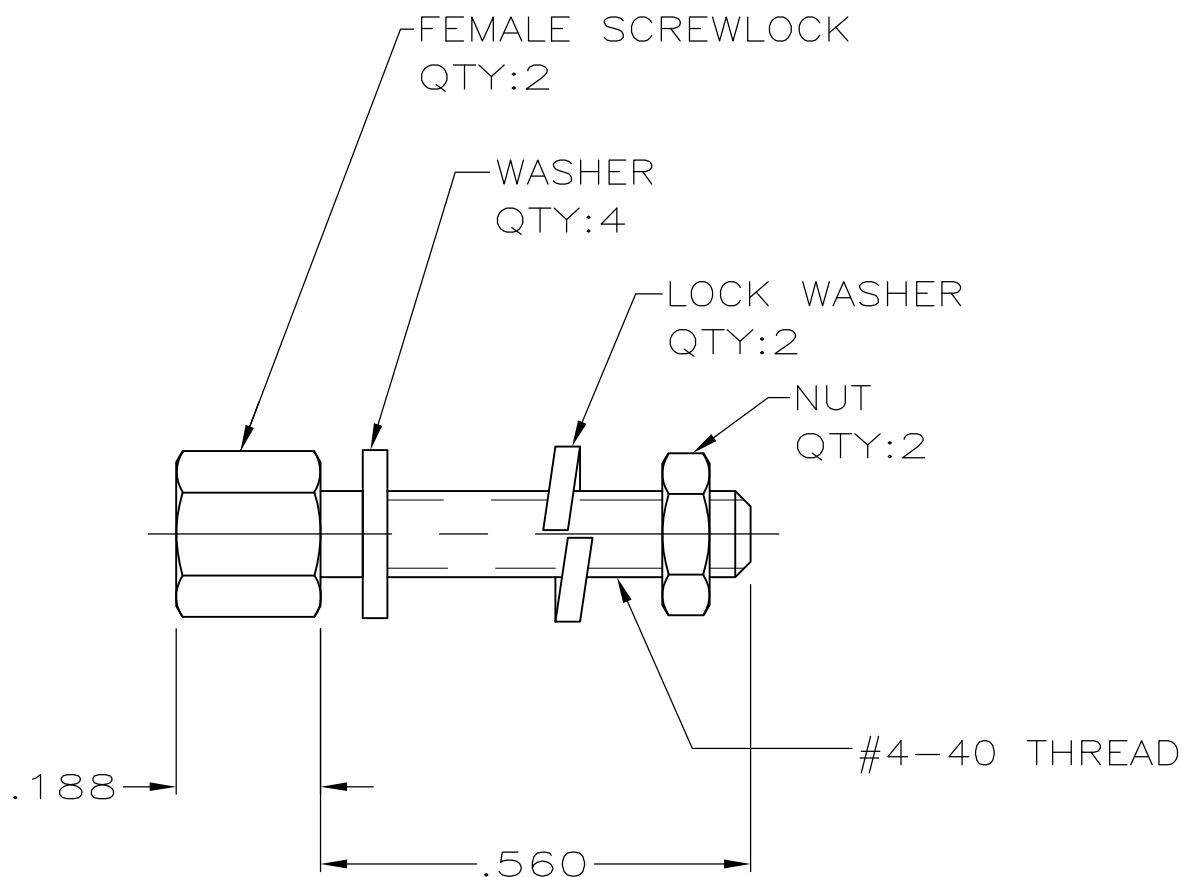
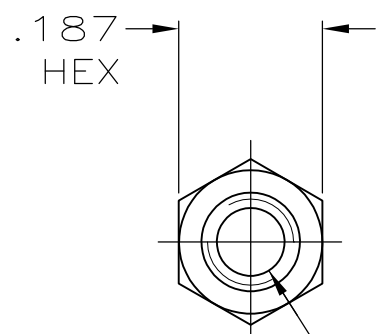
ALL RIGHTS RESERVED.

© COPYRIGHT - By -

LOC GP DIST 00

REVISIONS

P	LTR	DESCRIPTION	DATE	DWN	APVD
P		REVISED PER ECO-11-004835	11MAR11	RK	HMR



- ① ZINC PLATED .000200-.000400 THICK, YELLOW CHROMATE COATING.
- ② ZINC PLATED .000200-.000400 THICK, CLEAR CHROMATE COATING.
- 3. PARTS PACKAGED UNASSEMBLED.
- ④ PARTS PACKAGED AS A UNIT KIT.
- ⑤ PARTS INDIVIDUALLY BULK PACKED & SHIPPED AS A UNIT PACKAGE.

⑤	②	5207719-4
④	②	5207719-3
⑤	①	5207719-2
④	①	5207719-1
PACKAGING	FINISH	PART NUMBER

THIS DRAWING IS A CONTROLLED DOCUMENT.		DWN S.WAITMAN 28JUN05	STE TE Connectivity														
DIMENSIONS: INCHES		CHK C.ROHDE 28JUN05															
TOLERANCES UNLESS OTHERWISE SPECIFIED:		APVD M.WALMSLEY 28JUN05	NAME SCREWLOCK FEMALE ASSEMBLY, AMPLIMITE														
<table border="1"> <tr><td>0 PLC</td><td>± -</td></tr> <tr><td>1 PLC</td><td>± -</td></tr> <tr><td>2 PLC</td><td>± -</td></tr> <tr><td>3 PLC</td><td>± .005</td></tr> <tr><td>4 PLC</td><td>± -</td></tr> <tr><td>ANGLES</td><td>± -</td></tr> </table>		0 PLC	± -	1 PLC	± -	2 PLC	± -	3 PLC	± .005	4 PLC	± -	ANGLES	± -	PRODUCT SPEC -	RESTRICTED TO -		
0 PLC	± -																
1 PLC	± -																
2 PLC	± -																
3 PLC	± .005																
4 PLC	± -																
ANGLES	± -																
MATERIAL COLD ROLLED STEEL PER ASTM A108		FINISH SEE TABLE	APPLICATION SPEC -	SIZE A3	CAGE CODE 00779	DRAWING NO C-5207719											
CUSTOMER DRAWING			WEIGHT -	SCALE 4:1	SHEET 1 OF 1	REV P											